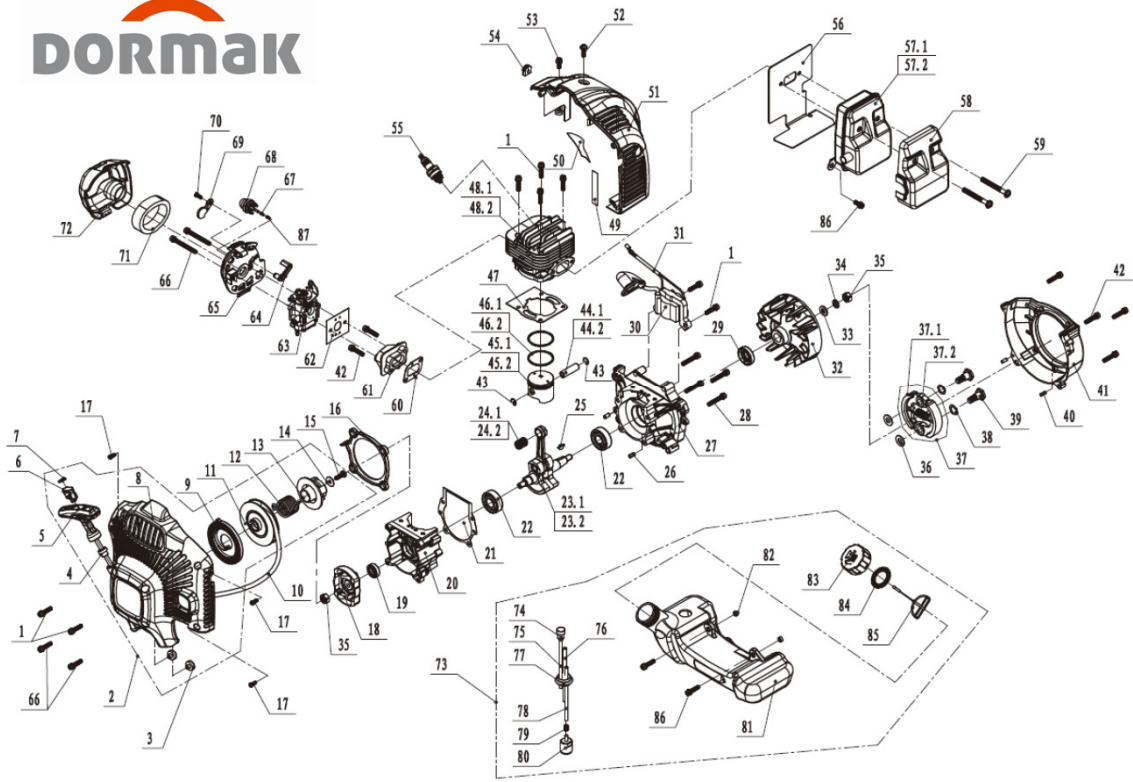
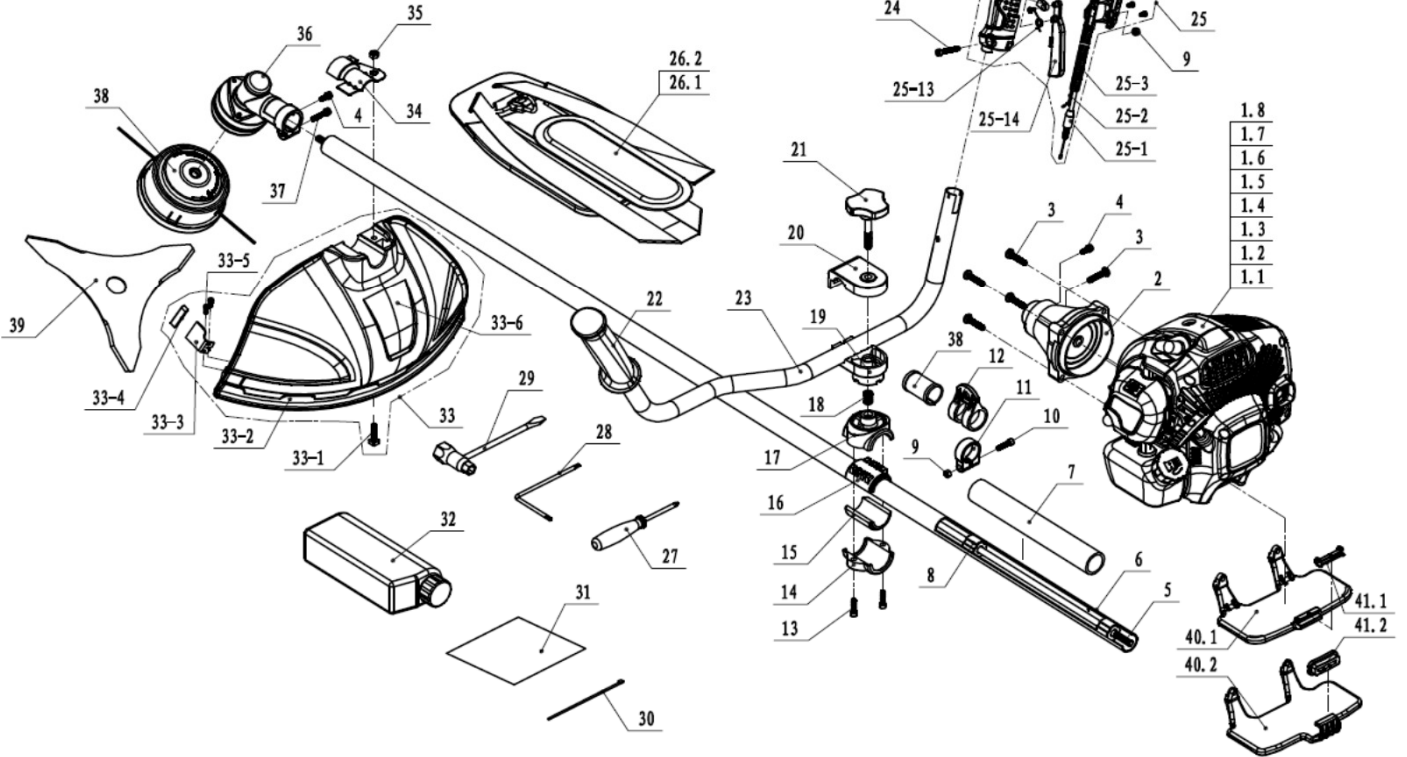


LISTA PEÇAS DO MOTOR DK43



Nº	Referência	Descrição da Peça	Qtde	Nº	Referência	Descrição da Peça	Qtde
1	5.01.07.05222	SCREW M5×22	10	44	4.004.0031.10	PISTON PIN Ø6×Ø10×32.9	1
2	3.002.0003.32	G4302 EASY START ASS'Y	1	45	4.004.0013.13	G4302 PISTON	1
3	4.013.0021.36	OIL TANK DAMPING RUBBER	2	46	4.004.0021.15	PISTON RING Ø40×1.5	2
4	4.504.0011.01	4600 ROPE GUIDE Ø10×Ø5	1	47	4.019.0021.09	GASKET	1
5	3.001.0241.07	START HANDLE	1	48	4.002.0011.16	G4302 CYLINDER	1
6	4.018.0021.39	5601 ROPE BUFFER RUBBER	1	49	4.018.0041.12	ALUMINUM FOIL INSULATION 2	1
7	4.019.0091.01	5601 ROPE GASKET	1	50	4.018.0041.11	ALUMINUM FOIL INSULATION 1	1
8	3.001.0093.15	BACK CYLINDER COVER	1	51	3.001.0091.17	FRONT CYLINDER COVER	1
9	4.012.0012.02	G4302 RECOIL SPRING COMP.	1	52	5.01.06.05122	SCREW M5×12	1
10	4.012.0031.02	4600 ROPE Ø3×900	1	53	5.01.07.05132	SCREW M5×13	1
11	4.012.0151.09	G4302 EASY START ROPE WHEEL	1	54	4.009.0101.05	GUIDE	1
12	4.012.0021.05	G4302 ENERGY STORAGE SPRING	1	55	4.009.0041.01	SPARK PLUG (L8RTF)	1
13	4.012.0101.05	G4302 EASY START RATCHET WHEEL	1	56	4.019.0031.12	GASKET	1
14	5.05.01.05161	WASHER Ø5×Ø16×1	1	57	4.006.0012.13	MUFFLER (EU V)	1
15	5.01.04.05141	SCREW M5×14	1	58	4.006.0051.03	MUFFLER COVER (EU V DEDICATED)	1
16	3.001.0123.06	START COVER	1	59	5.01.04.06551	SCREW M6×55	2
17	5.01.02.42093	SCREW ST4.2×9.5	3	60	4.019.0041.05	GASKET	1
18	4.012.0162.02	G3302 START REEL ASS'Y	1	61	4.005.0023.10	INLET PIPE	1
19	5.09.01.12221	SEAL Ø12×Ø22×7	1	62	4.019.0061.06	GASKET	1
20	4.001.0041.12	CRANKCASE	1	63	4.017.0012.14	CARBURETOR	1
21	4.019.0011.07	GASKET	1	64	3.001.0343.14	CHOKE HANDLE	1
22	5.08.01.15351	BEARING 6202	2	65	4.005.0203.04	CLEANER INSIDE COVER	1
23	4.003.0012.14	G4302 CRANKSHAFT ASS'Y	1	66	5.01.07.05502	SCREW M5×50	4
24	5.08.08.10151	BEARING K10×14×15.5	1	67	4.007.0041.33	OIL OUTLET PIPE	1
25	5.06.01.03131	KEY 3.0×5.0×13	1	68	4.007.0161.01	FUEL PRIMER COMP.	1
26	5.04.08.05101	PIN Ø×10	2	69	3.001.0343.13	CHOKE	1
27	4.001.0021.10	CRANKCASE	1	70	5.01.03.35082	SCREW ST3.5×8	1
28	5.01.07.05322	SCREW M5×32	4	71	4.005.0053.04	FILTER NET	1
29	5.09.05.0004	SEAL Ø15×Ø30×7	1	72	3.001.0101.31	CLEANER OUTSIDE COVER	1
30	4.009.0023.11	IGNITION COIL COMP.	1	73	4.007.0201.01	FUEL TANK ASS'Y	1
31	4.009.0031.12	CORD COMP.	1	74	4.007.0022.01	BREATHER ASS'Y	1
32	4.009.0012.03	FLYWHEEL	1	75	4.007.0041.34	G4302 VENT PIPE	1
33	5.05.01.08161	WASHER Ø8.4×Ø16×1.6	1	76	4.007.0041.32	FUEL RETURN PIPE	1
34	5.05.02.08002	WASHER Ø8	1	77	4.013.0021.32	RUBBER PLUG	1
35	5.02.01.08001	NUT M8	2	78	4.007.0041.31	FUEL INLET PIPE	1
36	4.010.0111.04	WASHER Ø8×Ø18	2	79	4.007.0081.02	CLAMP	1
37	3.002.0010.06	G4302 CLUTCH ASS'Y	1	80	4.007.0012.03	FUEL FILTER	1
37	4.010.0111.01	G4302 CLUTCH SHOE	2	81	4.007.0201.02	FUEL TANK	1
37	4.010.0111.05	SPRING	1	82	4.502.0011.62	G4302 FUEL TANK INSERTS	2
38	4.010.0111.03	WASHER Ø11×Ø15	2	83	4.007.0201.03	FUEL TANK LID	1
39	4.010.0111.02	SCREW PIN M8	2	84	4.007.0101.02	GASKET	1
40	5.04.08.04101	PIN Ø4×10	2	85	3.001.0293.02	LINK	1
41	4.001.0013.04	FAN COVER	1	86	5.01.16.05161	SCREW M5*16	3
42	5.01.07.05253	SCREW M5×25	6	87	4.007.0041.58	SPRING	1
43	4.004.0041.11	CIRCLIP Ø10	2				

LISTA PEÇAS DO VARÃO DK43SW



Nº	Referência	Descrição da Peça	Qtde	Nº	Referência	Descrição da Peça	Qtde
1	6.11008.03	Enigne 1E40F (EASY START EU V)	1	25-7	4.008.0021.08	G4302 TRIGGER SPRING	1
2	3.002.0004.07	G4301 CLUTCH COMP.	1	25-8	4.008.0181.01	THROTTLE LOCK BAR	1
3	5.01.06.06302	SCREW M6x30	5	25-9	3.001.0741.01	G4302 LEFT HAND SHANK COVER (U HANDLE)	1
4	5.01.07.05132	SCREW M5x13	2	25-10	4.008.0181.02	SPRING	1
5	4.008.0171.05	G4301 DRIVE SHAFT	1	25-11	3.001.0751.01	G4302 THROTTLE CAP	1
6	4.008.0171.04	G4301 TRANSFER BAR	1	25-12	3.001.0751.03	G4302 CONTROL ARMBLOCK (U HANDLE)	1
7	4.008.0171.25	G4303 SPONGE DAMPER CAP	1	25-13	4.008.0071.01	G4302 CONTROL ARMSPRING (U HANDLE)	1
8	4.008.0171.06	G4301 RETAINER ASSY	7	25-14	3.001.0211.10	G4302 TRIGGER CONTROL ARM (U HANDLE)	1
9	5.02.01.05002	NUT M5	2	26,1	4.000.0092.05	HARNESS (DOUBLE SHOULDER)-05H	1
10	5.01.07.05222	SCREW M5*22	1	27	4.000.0101.01	SCREW DRIVER	1
11	4.008.0191.12	G5302 CLAMP	1	28	4.000.0021.02	WRENCH	1
12	4.008.0191.11	G5302 HARNESS CLAMP	1	29	4.000.0013.02	2600 WRENCH	1
13	5.01.06.06202	SCREW M6x20	2	30	7.006.001.001	RIBBON 4x200	3
14	4.008.0171.61	BOTTOM FIXED TRANSMISSION BAR COVER	1	31	7.002.031.001	TOOL BAGS	1
15	4.013.0021.49	G4302 DAMPING RUBBER(BOTTOM)	1	32	4.000.0042.02	1L RATIO POT 2600	1
16	4.013.0021.48	G4302 DAMPING RUBBER(TOP)	1	33	3.001.0682.02	G4302 SAFETY GUARD ASS'Y	1
17	4.008.0171.62	TOP FIXED TRANSMISSION BAR COVER	1	33-1	5.03.07.06252	SET BOLT M6x25	1
18	4.008.0171.63	SPRING	1	33-2	3.001.0681.04	G4302 SAFETY GUARD PLATE	1
19	4.008.0171.64	G4302 U HANDLE PERMANENT SEAT	1	33-3	4.021.0112.01	G4302 TWINE KNIFE	1
20	4.008.0171.65	G4302 U HANDLE LOCK BAR	1	33-4	4.021.0112.02	G4302 TWINE KNIFE COVER	1
21	4.008.0171.66	G4302 U HANDLE SCREW ASS'Y	1	33-5	5.01.02.42093	SCREW ST4.2x9.5	2
22	3.001.0711.02	G4302 LEFT HAND SHANK	1	33-6	3.001.0681.03	G4302 SAFETY GUARD	1
23	4.008.0171.28	G4302 U HANDLE	1	34	3.001.0731.04	G4302 PRESSING PLATE	1
24	5.01.06.05322	SCREW M5x32	1	35	5.02.01.06001	NUT M6	1
25	3.001.0702.03	G4302 CONTROL HANDLE ASS'Y	1	36	4.008.0171.24	G4301 DRIVE BOX ASSY	1
25-1	4.008.0032.04	G4302 THROTTLE WIRE COMP. (U HANDLE)	1	37	5.01.07.05253	SCREW M5x25	1
25-2	4.009.0031.14	G4302 THROTTLE CORD (U HANDLE)	1	38	4.021.0102.01	G4302 NYLON HEAD	1
25-3	4.009.0101.03	G4302 THROTTLE CORD GUARD (U HANDLE)	1	39	4.021.0082.02	3 TEETH GRASS CUTTING BLADE	1
25-4	5.01.03.35082	SCREW ST3.5x8	7	40,1	3.001.0731.06	G4302 TANK BRACKET	1
25-5	3.001.0741.02	G4302 RIGHT HAND SHANK COVER (U HANDLE)	1	41,1	4.018.0021.45	G4302 RUBBER OF TANK BRACKET	1
25-6	3.001.0201.09	G4302 TRIGGER (U HANDLE)	1				